

PX Hybrid material dirt pump

Features

- “Vortex” construction.
- Discharge port can swing to vertical and horizontal directions.
- Maintenance and cleaning can be made without disassemble lines.

Uses

- Purification tanks
- Drainage

Special Specifications

Please specify voltage for each pump on your order.
Please contact us for custom specifications.

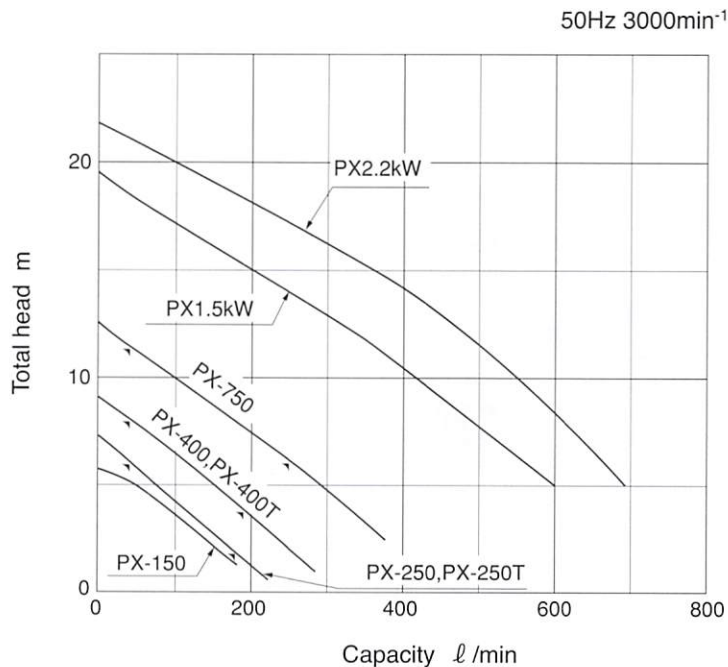


Standard Specifications

| | | (250W~750W) | (1.5kW~2.2kW) |
|---------------|-----------------------|----------------------------------|----------------------------------|
| Pumping Fluid | Type of Fluid | Natural water, Filty water | Natural water, Filty water |
| | Foreign matter size | Max. 35mm | Max. 30mm |
| | Foreign matter length | Max. 150mm | |
| | Fluid Temperature | 0-40°C (Without freezing) | 0-40°C (Without freezing) |
| Structure | Impeller | Vortex | semi-vortex |
| | Shaft Seal | Double Mechanical Seal (SiC×SiC) | Double Mechanical Seal (SiC×SiC) |
| | Bearing | Ball bearing | Ball bearing |
| Material | Casing | Plastic | Plastic |
| | Impeller | Plastic | Plastic |
| | Shaft | SUS304 | SUS304 |
| Motor | Type | Original motor | Original motor |
| | Power | Ref. specifications | Ref. specifications |
| | Pole | 2 Pole | 2 Pole |

| | | (PX-150) |
|---------------|-----------------------|----------------------------|
| Pumping Fluid | Type of Fluid | Natural water, Filty water |
| | Foreign matter size | Max. 28mm |
| | Foreign matter length | Max. 120mm |
| | Fluid Temperature | 0-40°C (Without freezing) |
| Structure | Impeller | Vortex |
| | Shaft Seal | Mechanical Seal |
| | Bearing | Ball bearing |
| Material | Casing | Plastic |
| | Impeller | Plastic |
| | Shaft | SUS304 |
| Motor | Type | Original motor |
| | Power | Ref. specifications |
| | Pole | 2 Pole |

Performance Curve

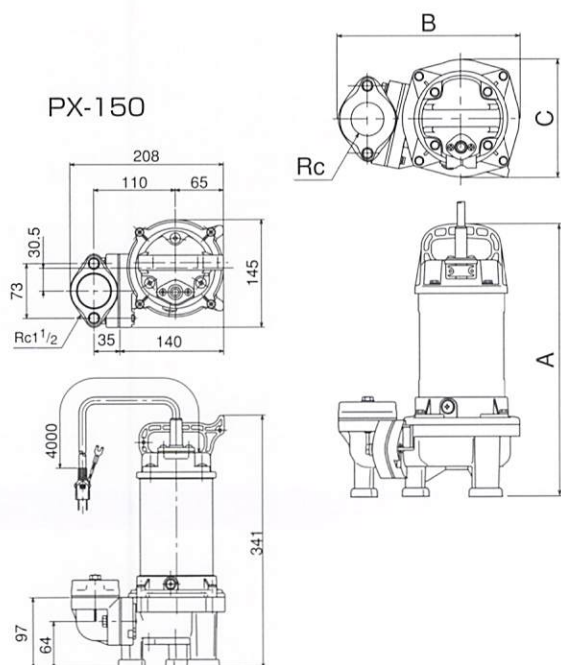


Specifications

50Hz 3000min⁻¹

| Bore mm | Model | Capacity ℓ/min | Total head m | Capacity ℓ/min | Total head m | Output kW | Power | |
|---------|----------|----------------|--------------|----------------|--------------|-----------|---------|-------|
| | | | | | | | Voltage | Phase |
| 40 | PX-150 | 40 | 4.8 | 100 | 3.5 | 0.15 | 100V | 1 |
| | PX-250 | 40 | 6.0 | 170 | 2.0 | 0.25 | 100V | 1 |
| | PX-250T | 40 | 6.0 | 170 | 2.0 | 0.25 | 200V | 3 |
| 50 | PX-400 | 40 | 8.0 | 180 | 4.0 | 0.4 | 100V | 1 |
| | PX-400T | 40 | 8.0 | 180 | 4.0 | 0.4 | 200V | 3 |
| | PX-750 | 40 | 11.5 | 250 | 6.0 | 0.75 | 200V | 3 |
| | PX4-1500 | — | — | 400 | 9.9 | 1.5 | 200V | 3 |
| 65 | PX5-1500 | — | — | 400 | 9.9 | 1.5 | 200V | 3 |
| | PX5-2200 | — | — | 400 | 13.4 | 2.2 | 200V | 3 |
| 80 | PX6-1500 | — | — | 400 | 9.9 | 1.5 | 200V | 3 |
| | PX6-2200 | — | — | 400 | 13.4 | 2.2 | 200V | 3 |

Model PX Size



Mode PX

50Hz

| Bore mm | Model | Output dimension mm | | | | Weight kg |
|---------|----------|---------------------|-----|-----|-------|-----------|
| | | A | B | V | Rc | |
| 40 | PX-250 | 370 | 248 | 160 | 1 1/2 | 6.8 |
| | PX-250T | 370 | 248 | 160 | 1 1/2 | 6.2 |
| 50 | PX-400 | 380 | 248 | 160 | 2 | 7.3 |
| | PX-400T | 380 | 248 | 160 | 2 | 7.0 |
| | PX-750 | 395 | 248 | 160 | 2 | 8.4 |
| 65 | PX4-1500 | 485 | 295 | 203 | 2 | 16.0 |
| | PX5-1500 | 485 | 295 | 203 | 2 1/2 | 16.0 |
| 80 | PX5-2200 | 510 | 295 | 203 | 2 1/2 | 19.0 |
| | PX6-1500 | 485 | 295 | 203 | 3 | 16.0 |
| | PX6-2200 | 510 | 295 | 203 | 3 | 19.0 |