

CSA • CSL-L



Hybrid material pump
Hybrid material bilge pump

Features

- Perfect rustproof parts contacting liquid.
- Simple construction for easy maintenance.
- Compact and lightweight type for carrying.

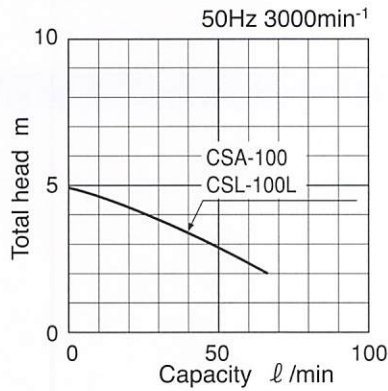
Uses

- Agriculture
- Fishery
- Home use



CSL-100L

Performance Curve



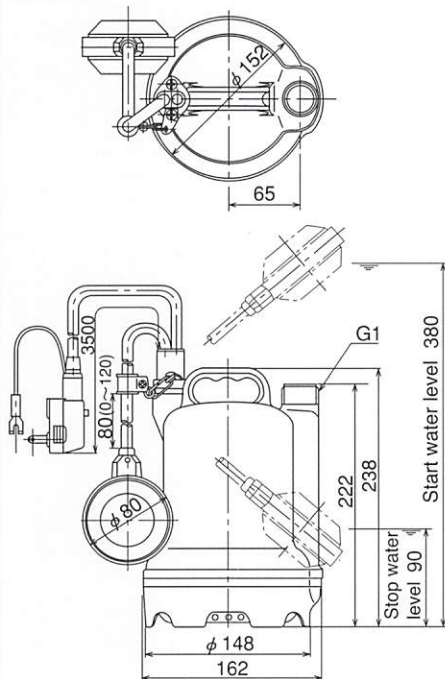
Specifications

50Hz 3000min⁻¹

Bore mm	Model	Capacity l/min	Total head m	Output W	Power		Weight kg
					Voltage	Phase	
25	CSA-100	35	100	3.8	100V	1	4.0
	CSL-100L	35	100	3.8	100V	1	4.0

Size

CSA-100



CSL-100L

CSL-100L can pump up 2 mm water level.

Uses

- Building facility
- Industrial uses

