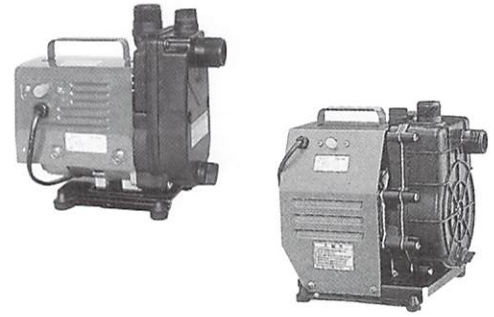


HP Handy pump



Features

- Compact and lightweight model with high performance and low noise.
- Overload protector with manual reset is equipped.
- Special plastic material is adopted for the parts contacting liquid.

Standard Specifications

Pumping Fluid	Type of Fluid	Natural water
	Fluid Temperature	0-50°C (Without freezing) HP-50, HP-100
		0-40°C (Without freezing) HP-200
Structure	Impeller	semi-open
	Shaft Seal	Mechanical Seal
	Bearing	Ball bearing
Material	Casing	Plastic
	Impeller	Plastic
	Shaft	SUS403
Motor	Type	Original motor
	Power	1 Phase-100V
	Pole	2 Pole

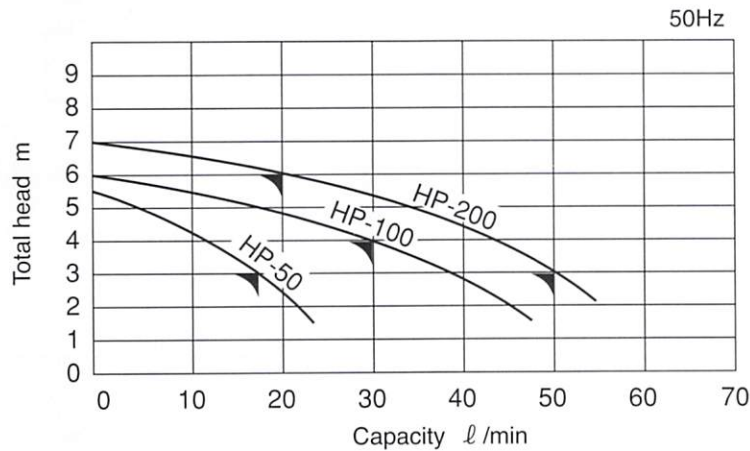
Uses

- Home use
- Agriculture
- Fishery
- Building facility

Special Specifications

Please specify voltage for each pump on your order.
Please contact us for custom specifications.

Performance Curve

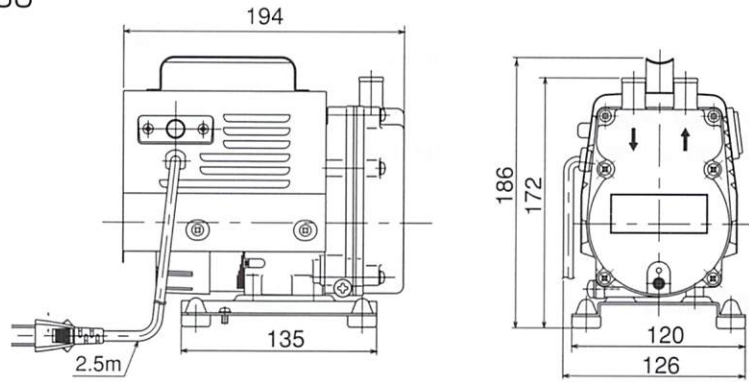


Specifications

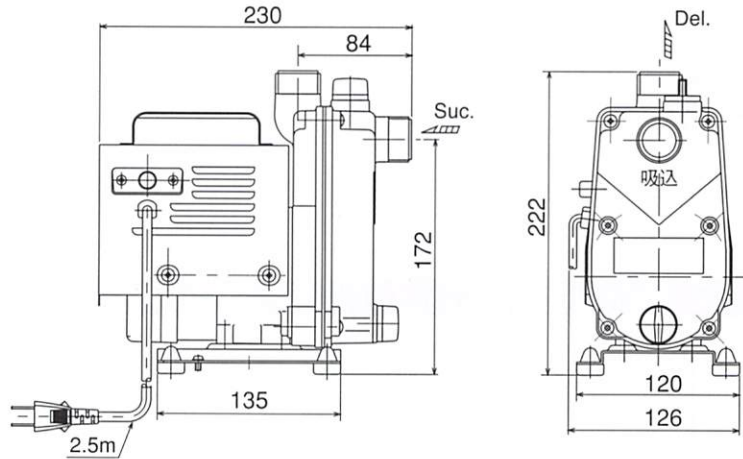
Bore mm	Model	Capacity ℓ/min	Total head m	50Hz			
				Capacity ℓ/min	Total head m	Output W	Weight kg
15	HP-50	18	3	—	—	60	3.5
25	HP-100	30	4	—	—	80	3.9
	HP-200	20	6	50	3	135	7.0

Model HP Size

HP-50



HP-100



HP-200

